

Strain Gauge Amplifier

(RLVBSGA02)



The RACELOGIC Strain Gauge Amplifier (RLVBSGA02) is a two-channel user adjustable strain gauge amplifier. Each channel is DC isolated and designed for full-bridge operation, but can be adapted for use in half-bridge and quarter-bridge applications.

The output range of each channel is $\pm 9\text{v}$ with input signal gain adjustable from approximately 25 to 1000.

Wire connection to the amplifier is via screw terminal contacts for simple fitting.

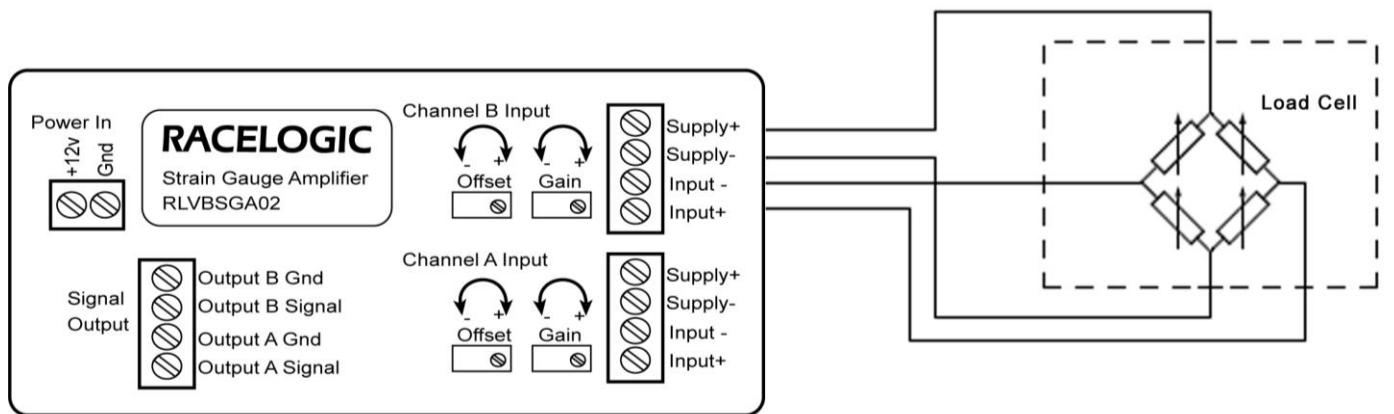


Features

- DC isolated channels
- 90dB typical CMRR
- Adjustable gain from 25 to 1000
- Dual channel

Typical Application

Full Bridge Application



The Strain Gauge Amplifier can also be used in half-bridge and quarter-bridge applications. Please refer to the user manual for more information.

Strain Gauge Amplifier

(RLVBSGA02)



Specification

Description	Values
Supply Voltage	6v – 18vDC
CMRR	Typically 90 dB (minimum 77dB)
Bridge Supply Voltage	5v ± 2mV
Gain	Adjustable from 25 to 1000
Output Range	±9v
Operating Temperature	0°C to +70°C
Storage Temperature	-40°C to +85°C
Frequency Bandwidth	DC to KHz

External Dimension

