

RACELOGIC Steering Torque Sensor

(RLSTSENSOR)



The RACELOGIC Steering Torque Sensor is designed to accurately measure a vehicle's steering angle or torque in tests such as ECE R79, ISO 4138 and ISO 7401. It has a CAN interface, which means you can connect the sensor directly to the VBOX 3i Data logger.

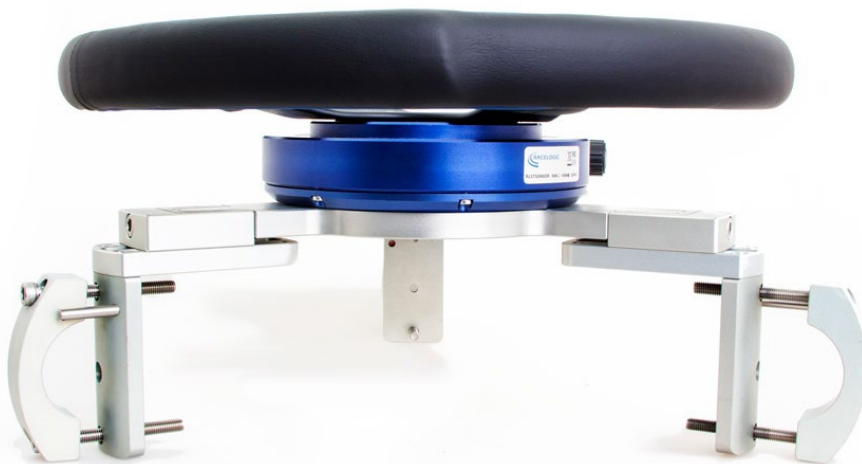
The sensor is light and compact, with high dynamic response and a fine resolution of steer angle (0.1°). Easy access push buttons make it quick and simple to zero the steer angle and torque, once mounting is complete.

Existing steering wheel functions, such as vehicle control elements, will not be affected when using the Steering Torque Sensor. A universal steering wheel adapter is also included, making it quick and easy to mount to any vehicle, without having to remove the actual steering wheel.



Features:

- CAN and analogue interface for connection to VBOX 3i or 3rd party data logger
- Ideal for tests such as ECE R79, ISO 4138 and ISO 7401
- 3 sensor variants, 50,100 & 200 Nm torque
- Steering angle resolution 0.1°
- Can be calibrated to ISO 17025 standard
- Quick and easy to install - supplied with a universal mount
- Does not interfere with the vehicle's steering wheel controls



RACELOGIC Steering Torque Sensor (RLSTSENSOR)



Specifications:

Technical	
Power Supply	9~24 V
Filter Threshold	0.05 Nm
Data Update Rate	200 Hz
Sampling Rate	100 Hz
Output Protocol	CAN

Environmental	
Operating Temperature range (C)	-20~80°C

Physical	
Weight	3 kg
Steering Wheel (Diameter)	Ø350 mm
CAN Output & Power Supply Cable (Length)	2 m

Torque	
Range	±0 - 50 Nm; ±0 - 100 Nm; ±0 - 200 Nm
Linearity	0.1% FS
Hysteresis	0.1% FS
Maximum Load	150%

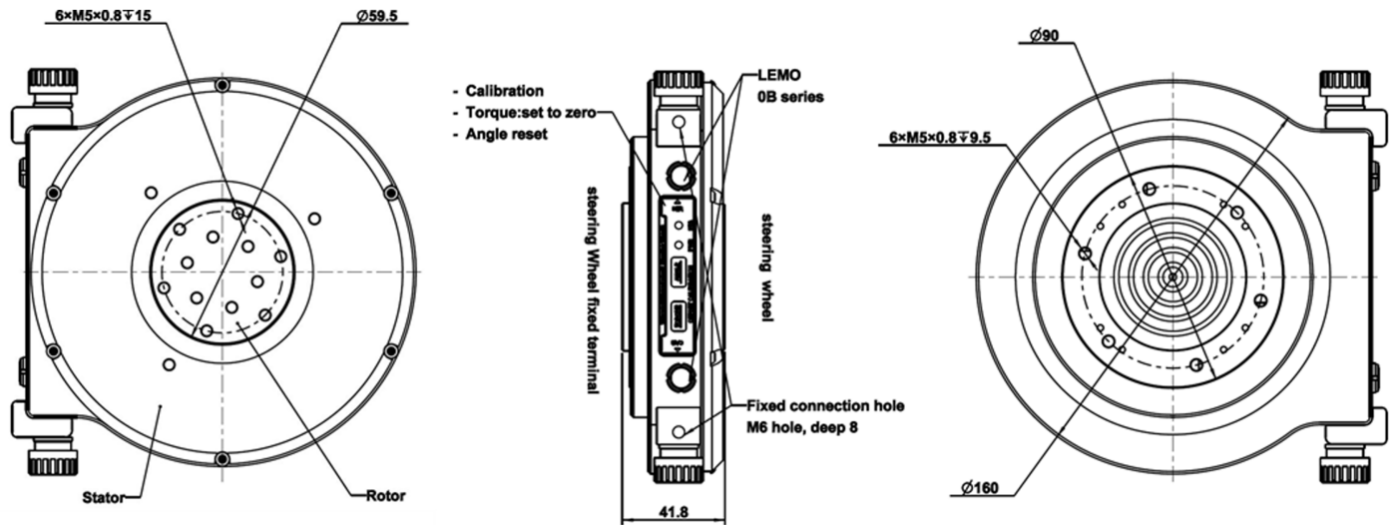
Steering Angle	
Range	± 3,200°
Sensor Type	Rotating Encoder
Output Phase	A, B, Z
Signal Type	TTL
Output Pulse	18000 Pulse/360°
Resolution	0.1°
Max. RPM	2,000 RPM

RACELOGIC Steering Torque Sensor (RLSTSENSOR)

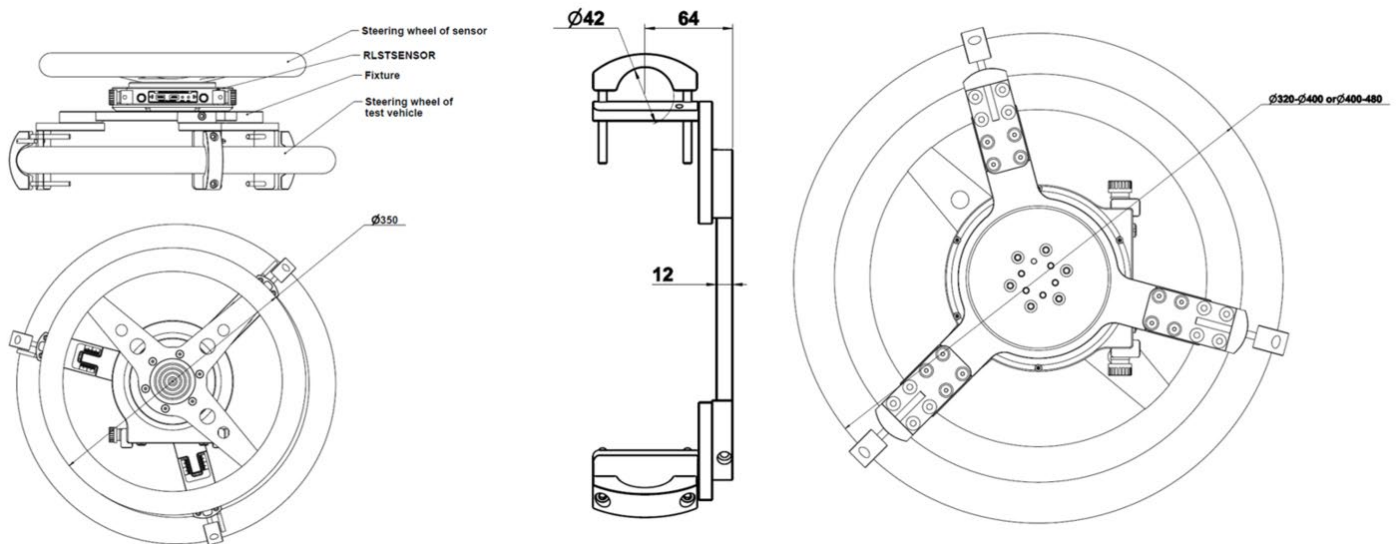


Dimensions (Steering Wheel Sensor):

All measurements in mm.



Dimensions (Adapter):



RACELOGIC Steering Torque Sensor (RLSTENSOR)



Package Contents:

Part No	Description
RLSTENSOR	Steering Wheel Sensor, inc. 350 mm steering wheel (available in a choice of 50 Nm, 100 Nm or 200 Nm) and 2 m CAN/ Power cable
	1x Universal steering wheel adapter (Will fit Ø320-400 mm).
	1x Suction holder MSW adjustment for the front window
	1x Transport case

It is also possible to order a larger steering wheel. If you require a steering wheel that is larger than 400 mm in diameter, or a customised spline adapter, please contact Racelogic and we will be able to discuss this further.

The steering wheel sensor can also be calibrated to ISO 17025 standard. Please contact Racelogic to arrange this.