

# SPEED SENSORS

The speed sensors developed by ROTEC are designed for non-contact measurements of the rotational speed of a gear wheel. A ferromagnetic encoder wheel can thus be scanned. The sensors deliver high-quality signals across a broad range of requirements.

## TECHNICAL SPECIFICATIONS

Maximum gearwheel frequency	20 kHz (with DSA)
Gearing	<ul style="list-style-type: none"> <li>- Ferromagnetic target wheel</li> <li>- Module 0,6 to 2,4</li> <li>- Pitch 1,9 mm to 7,7 mm</li> </ul>
Sensing gap	- 0,5 – 2x modul [mm]
Sensor type	Passive, requirement of accompanying electronic unit (DSA)
Impedance/band width (with DSA)	Typ 4,5 k $\Omega$ / -3dB at 6 kHz
Temperature range speed sensors	- 15 °C to +100 °C
Temperature range high temperature sensors	-40 °C to +125 °C
Housing	Stainless steel M10x1 outer thread
Pins	<ul style="list-style-type: none"> <li>- Integrated cable with Lemo 4-pin connector (Type A)</li> <li>- Separate Lemo 4-pol connector to Lemo 3-pol connector (Type B and C)</li> </ul>

## 4-FOLD SPEED SENSOR TYPE A *SE4FP*



4-FOLD SPEED SENSOR TYPE A SENSOR HEAD

SE4FP, with integrated cable length 2 m,  
Thread length 60 mm



4-FOLD SPEED SENSOR TYPE A WITH CABLE

## SPEED SENSOR TYPE A SEFP001-003



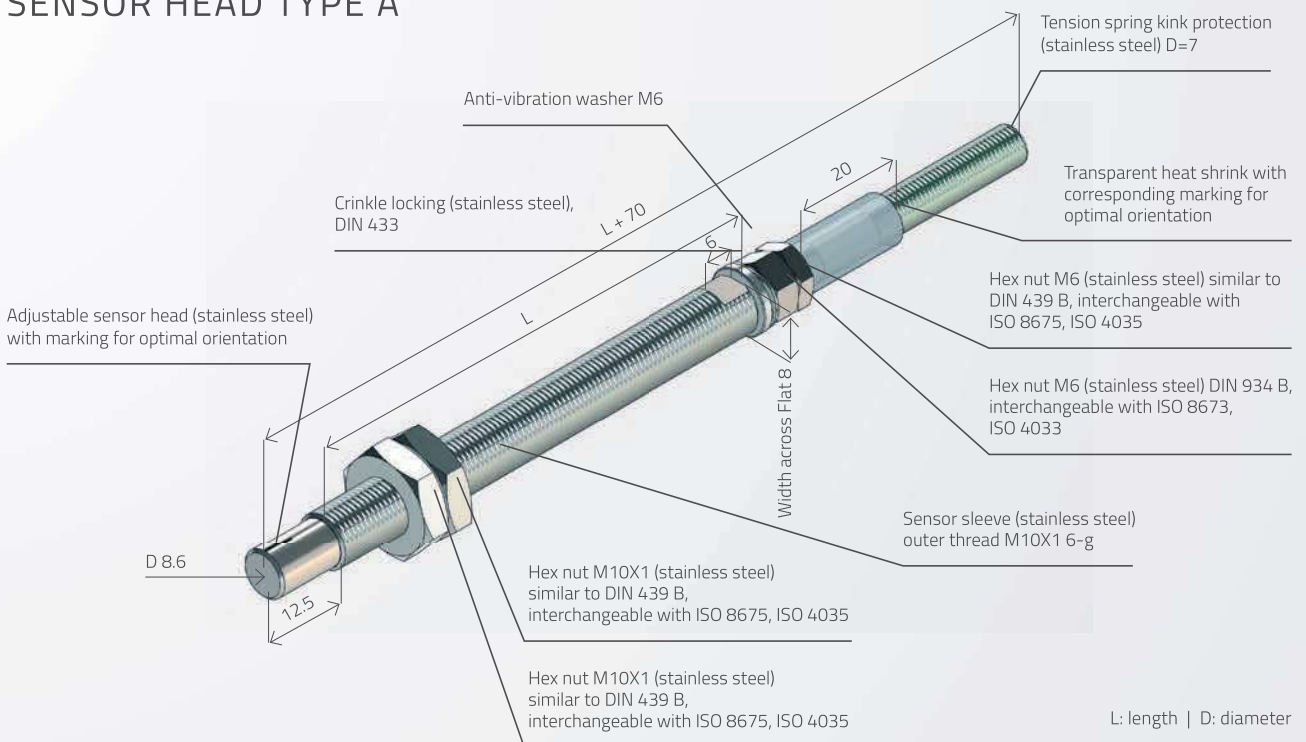
SPEED SENSOR TYPE A SENSOR HEAD

SEFP001: Thread length 30mm, with integrated cable, length 1 m  
 SEFP002: Thread length 60 mm, with integrated cable, length 1 m  
 SEFP003: Thread length 90 mm, with integrated cable, length 1 m



SPEED SENSOR TYPE A WITH CABLE

## SENSOR HEAD TYPE A



## SPEED SENSOR TYPE B *SEFP004-009*



*SPEED SENSOR TYPE B SENSOR HEAD*

SEFP004: Thread length 30 mm, cable incl. KAB005a (0°)  
SEFP005: Thread length 30 mm, cable incl. KAB005b (90°)  
SEFP006: Thread length 60 mm, cable incl. KAB005a (0°)  
SEFP007: Thread length 60 mm, cable incl. KAB005b (90°)  
SEFP008: Thread length 90 mm, cable incl. KAB005a (0°)  
SEFP009: Thread length 90 mm, cable incl. KAB005b (90°)



*SPEED SENSOR TYPE B WITH CABLE*

## HIGH TEMPERATURE SENSOR TYPE B *SEHFP001-003*



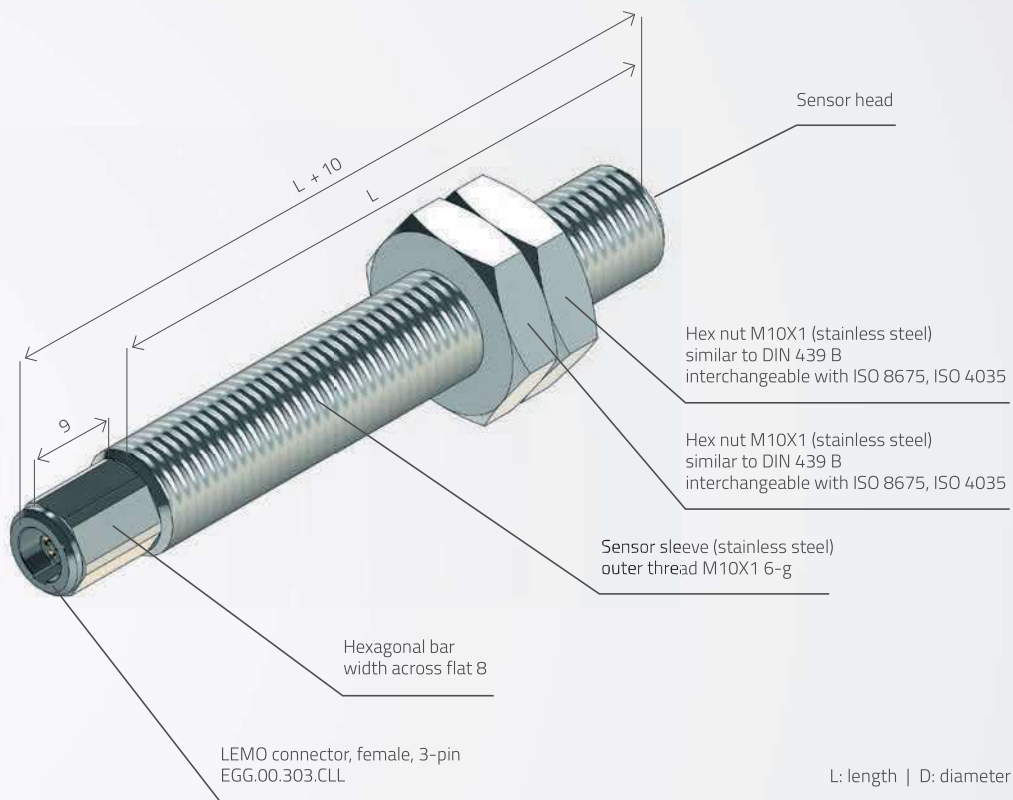
*HIGH TEMPERATURE SENSOR TYPE B SENSOR HEAD*

SEHFP001: Thread length 30 mm with integrated cable length 2 m  
SEHFP002: Thread length 60 mm with integrated cable length 2 m  
SEHFP003: Thread length 90 mm with integrated cable length 2 m



*HIGH TEMPERATURE SENSOR TYPE B WITH CABLE*

## SENSOR HEAD TYPE B



## SPEED SENSOR TYPE C *SEFP010-015*



*SPEED SENSOR TYPE C SENSOR HEAD*

SEFP010: Thread length 30 mm, cable incl. KAB005a (0°)  
SEFP011: Thread length 30 mm, cable incl. KAB005b (90°)  
SEFP012: Thread length 60 mm, cable incl. KAB005a (0°)  
SEFP013: Thread length 60 mm, cable incl. KAB005b (90°)  
SEFP014: Thread length 90 mm, cable incl. KAB005a (0°)  
SEFP015: Thread length 90 mm, cable incl. KAB005b (90°)



*SPEED SENSOR TYPE C WITH CABLE*

## HIGH TEMPERATURE SENSOR TYPE C *SEHFP004-006*



*HIGH TEMPERATURE SENSOR TYPE C SENSOR HEAD*

SEHFP004: Thread length 60 mm  
SEHFP005: Thread length 90 mm  
SEHFP006: Thread length 30 mm



*HIGH TEMPERATURE SENSOR TYPE C WITH CABLE*

SENSOR HEAD TYPE C

