

## Compact Differential Pressure Transducer



### Features

- ➔ All Stainless steel
- ➔ Operating from -40 to +125°C
- ➔ Outputs : 0-5V, 4-20mA, 0,5-4,5V
- ➔ Wet/wet differential pressure

### Applications

- ➔ Automotive - on vehicle
- ➔ Aerospace
- ➔ Energy / Nuclear
- ➔ Test benches

The PDM220 series pressure sensors provide accurate differential pressure measurement of gas and liquids in ranges from 250mbar up to 600bar. Standard unamplified and amplified analog outputs are available : mV/V, 0.5-4.5Vdc, 0-5Vdc and 2-wire 4 to 20mA current loop. They are suitable for uni or bi-directional measurement. Their construction being all stainless steel, they are compatible with most media, including corrosive fluids used in automotive and aerospace industries.

## Technical specifications

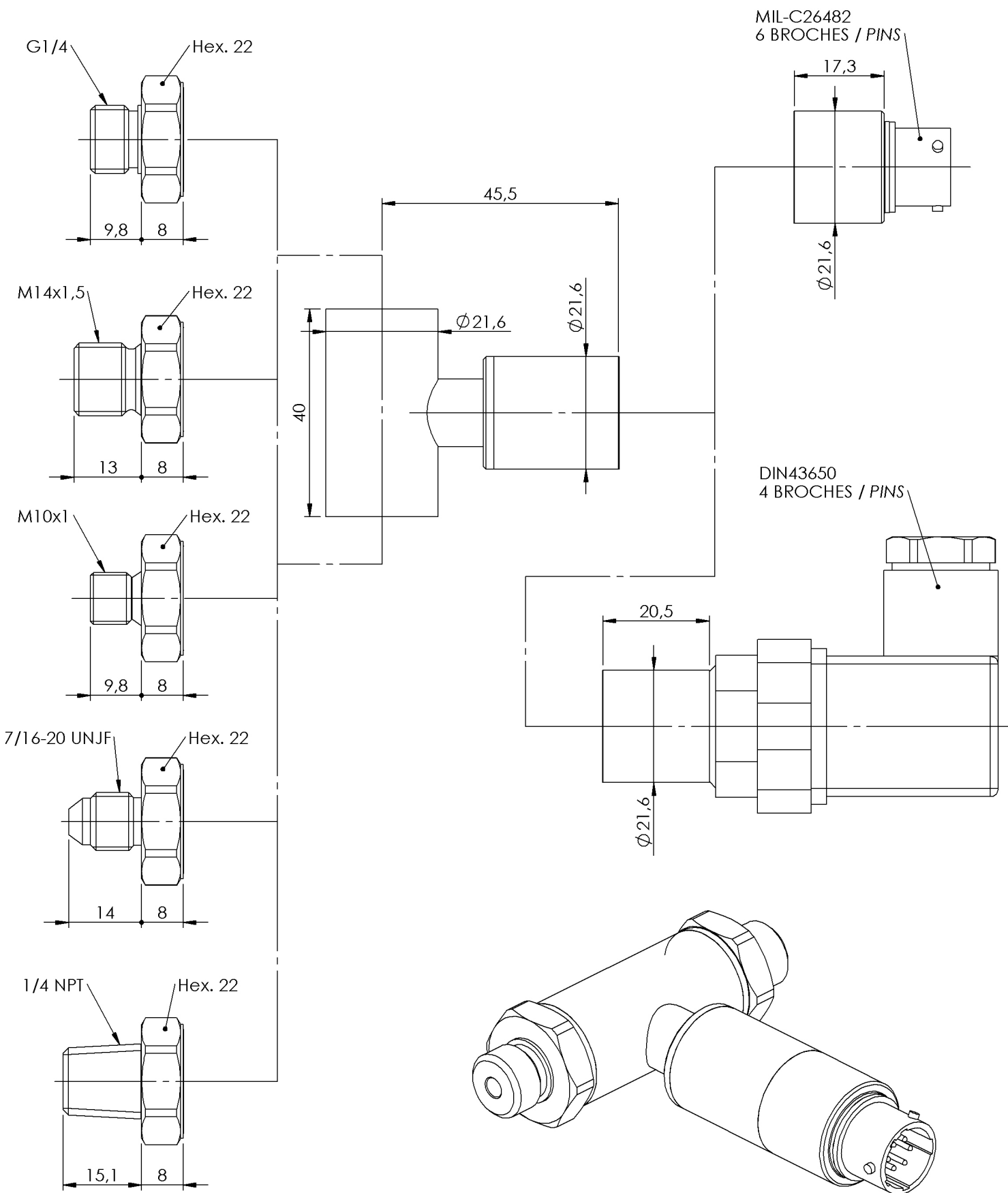
Uni-directional pressure ranges (FS)	250mbar ; 500mbar ; 1bar ; 2bar ; 3bar ; 5bar ; 10bar ; 20bar ; 40bar ; 100bar ; 250bar ; 400bar ; 600bar
Bi-directional pressure ranges (FS)	±250mbar ; ±500mbar ; ±1bar ; ±2bar ; ±3bar ; ±5bar ; ±10bar ; ±20bar ; ±40bar ; ±100bar ; ±250bar ; ±400bar ; ±600bar
Type	Differential
Line pressure	Less or equal to nominal pressure range
Safe overload	150% FS
Burst pressure	300% FS
Power supply	12 to 30Vdc
Consumption	Current loop
Insulation	> 1000 MOhms under 50Vdc at ambient temperature
Output at -100%FS (only for ± range)	4mA
Output at 0%FS (except ranges ±)	4mA
Output at 100%FS	20mA
Zero and sensitivity settings tolerances	±0.1mA

## Technical Specifications

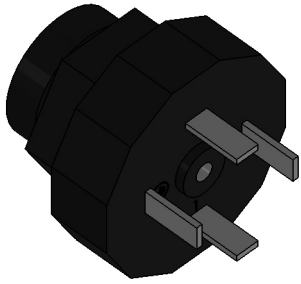
Non linearity and hysteresis combined	±0.25% FS Option : ±0.15% FS
Non repeatability	±0.05% FS
Signal bandwidth	1000Hz @ -3dB
Compensated temperature range	0 to +60°C Option : -25 to +85°C ; -25 to +125°C
Operating temperature range	-25 to +125°C
Combined thermal zero & sensitivity shifts	±0.02% FS/°C
EMC protection	Compliant to EN61000
Electrical connection	DIN 43650 Receptacle - 4 pins Option : Hermetic MIL-C-26482 - 6 pins Receptacle
Mechanical connection	1/4 Gaz A male ; 1/4 NPT male ; M14x1.5-4h male Option : 7/16-20 UNJF-3A male - MS33656-4 ; M10x1-4h male with 80° internal cone
Material(s) of wetted parts	Stainless Steel 316L ; Stainless Steel 17-4PH ; Stainless steel 15-5PH
Enclosure protection	IP65

# Codification

Compact Differential Pressure Transducer	PDM22	5	S	1bar	D	01	01	A	1	1	
Output Signal											
4-20mA - 2 wires		5									
Material											
Stainless Steels			S								
Range											
Example				1bar							
Type											
Differential					D						
Mechanical connection											
M14x1.5-4h male						01					
1/4 Gaz A male						07					
7/16-20 UNJF-3A male - MS33656-4						10					
1/4 NPT male						13					
M10x1-4h male with 80° internal cone						19					
Electrical connection											
DIN 43650 Receptacle - 4 pins							01				
Hermetic MIL-C-26482 - 6 pins Receptacle							03				
Compensated temperature range											
0 to +60°C								A			
-25 to +85°C								B			
-25 to +125°C								C			
Non linearity and hysteresis combined											
±0.25% FS									1		
±0.15% FS									5		
Combined thermal zero & sensitivity shifts											
±0.02% FS/°C										1	

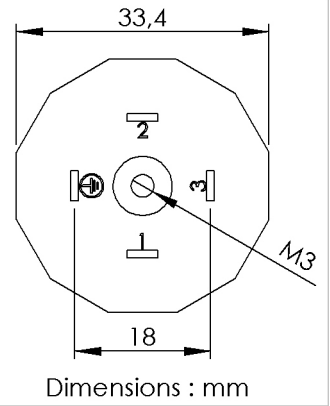


Dimensions : mm



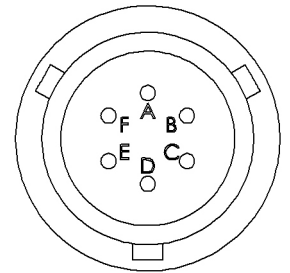
**DIN 43650 - 4 PINS**

4-20 mA OUTPUT	PIN
+ EXCITATION	PIN 1
+ SIGNAL	PIN 2
NC	PIN 3
SENSOR HOUSING	PIN T



**MIL-C26482 - 6 PINS**

4-20 mA OUTPUT	PIN
+ EXCITATION	PIN A
+ SIGNAL	PIN B
NC	PIN C
NC	PIN D
SENSOR HOUSING	PINS E & F



Agent :



E.F.E.  
 L'ESSOR FRANCAIS ELECTRONIQUE  
 16 Rue Porte a Bateaux - 27540 Ivry-la-Bataille - FRANCE  
 Tel : 33 (0)2 32 22 35 05 - Fax : 33 (0)2 32 36 93 08  
[www.efe-sensor.com](http://www.efe-sensor.com) - [infos@efe-sensor.com](mailto:infos@efe-sensor.com)